

Multi Treatment Chair

MX4000A



Dialysis • Oncology • Transfusion

Recovery has never felt so good.

Experience the comfort and flexibility with Midmark India Treatment Chair.

Nowhere is this more critical than in a healthcare setup where patient comfort is essential to maximize relaxation and recovery while simultaneously providing caregivers with a modern equipment that performs.



User-friendly Handset



Extended Position



Trendelenburg position



We are interested in growing relationship



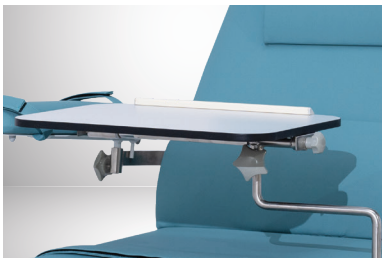
Technical Specifications

Overall Dimension*	1870 mm x 970 mm, 74" x 38" (LxW)
Seat Width*	620 mm, 24"
Extended Length*	2080mm, 81"
Minimum Height*	640mm, 25"
Maximum Height*	750mm, 30"

Electrical Parameters

Power In (Mains Power Supply)	Nominal 240 VAC
Operating Range with Battery	85 VAC to 265 VAC 50/60 Hz, Max 5A
Protection Voltage	100 VAC to 240 VAC
Electrical Shock Protection	Class I
Degree of Shock Protection	Type B
Liquid Ingress Protection	IPX6
Duty Cycle	10 % (Two minutes for every eighteen minutes)

Add-On Accessories



Food Table / Reading Table



IV Pole

Features (Inbuilt)

Pair of Removable, Adjustable Armrests with Back & Forth, Sideways and Up-Down Movements	Available
Patient Hand Control	Available
Chair Position	Available
Emergency Head Down	Available
Castors*	125 mm high grade synthetic, twin wheel castors, two with brake & two without brake
Backrest**	0° - 75°
Trendelenburg**	0° - 15°
Battery Back-Up	Available
Safe Working Load	150 kgs
Patient Load Bearing Capacity^	135 kgs

Safety Standards

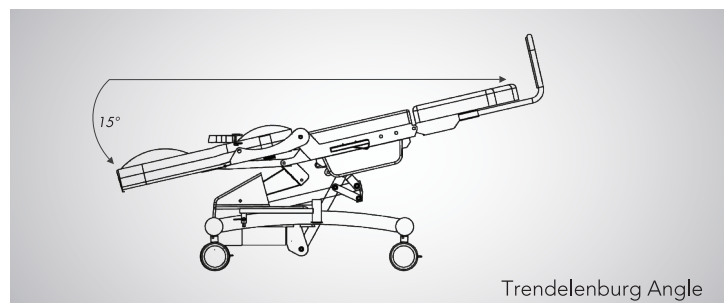
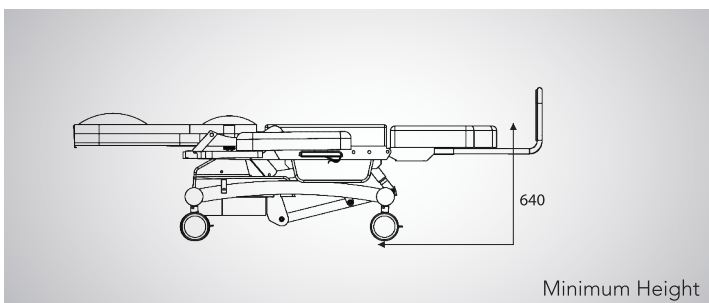
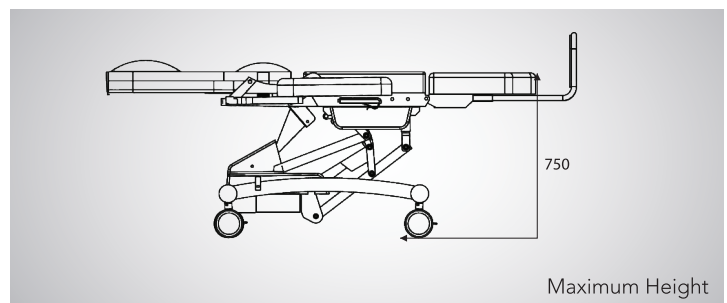
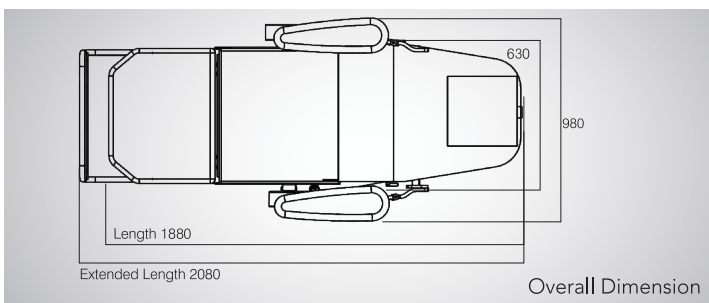
General safety for medical electrical equipment	IEC 60601-1-1
EMI/EMC	IEC 60601-1-2

Upholstery Colour Options



Accessories and color shown in the picture may not be part of standard configuration. Technical alterations reserved in view of our continuous improvements. Midmark India Pvt. Ltd. is the licensed user of the trademark "Midmark India" and the logo. Reproduction of this catalogue in any form is liable for legal action.

* ±10 mm Engineering variation. ** ± 5° Engineering variation. ^When bed is configured with standard accessories. #Factory fitted.



Midmark (India) Private Limited

Head Office: Art Guild House, FOF, B-16, "B" Wing, 4th floor, Phoenix Market City, LBS Road, Kurla (West), Mumbai - 400 070
Toll Free: 1800 22 8020 | Tel: +91 22 4915 3000 | Fax: +91 22 4915 3100 | www.midmark.in | india@midmark.com

MX4000A:06:10.10.23

